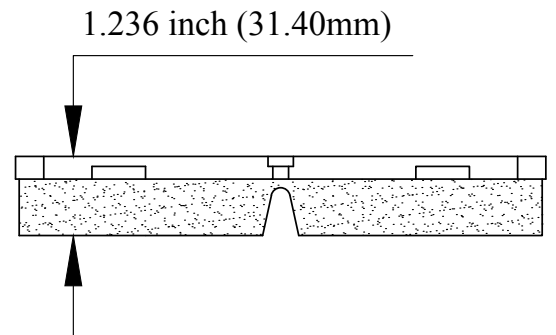
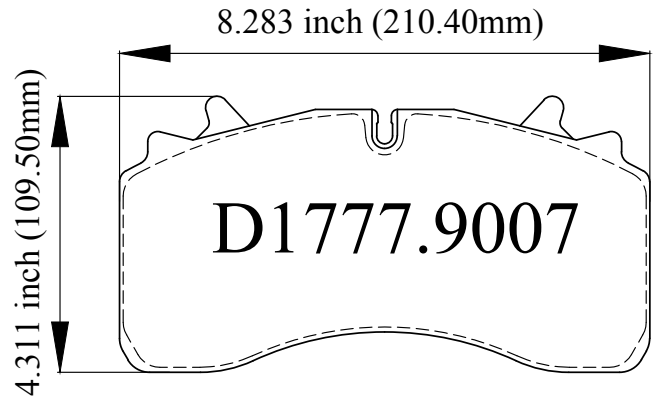


LUNAR[®] HP BRAKE PADS

AD1777-2LHP
FMSI[®]# D1777.9007

OE PAD# 640 222 927 2; 5-32676-1
WVA# 29162



MAKE
Wabco

APPLICATION
Hendrickson

CALIPER
MAXX22T