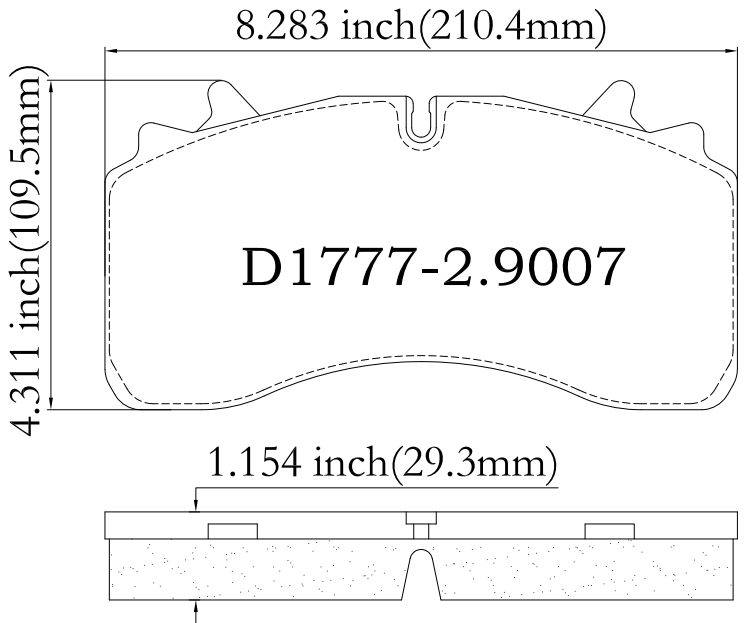


# LUNAR<sup>®</sup> HP BRAKE PADS

AD1777-2LHP  
FMSI<sup>®</sup># D1777.9007

OE PAD# 640 222 927 2; 5-32676-1  
WVA# 29162



**MAKE**  
Wabco

**APPLICATION**  
Hendrickson

**CALIPER**  
MAXX22T