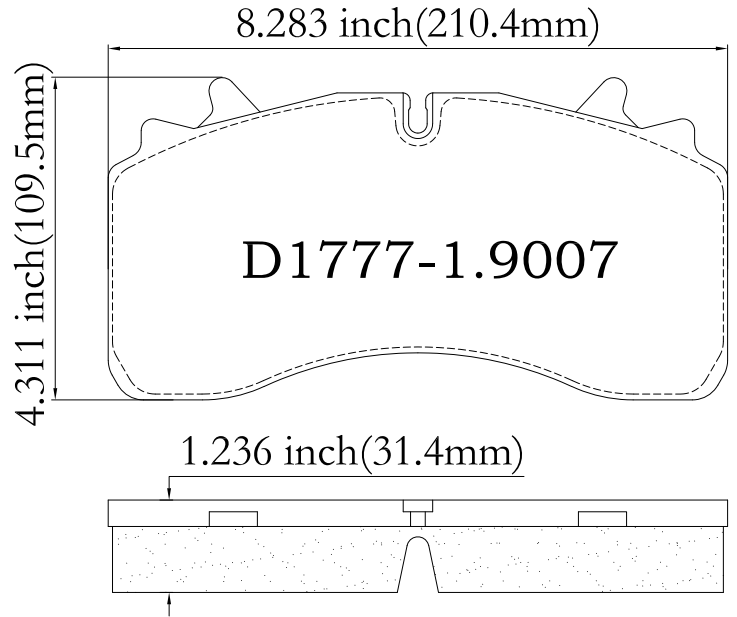


# LUNAR<sup>®</sup> HP BRAKE PADS

AD1777-1 LHP  
FMSI # D1777.9007

OE PAD #640 225 922 2; 12999796  
WVA# 29162



**MAKE**

Wabco

**APPLICATION**

Trailer

**CALIPER**

PAN 22