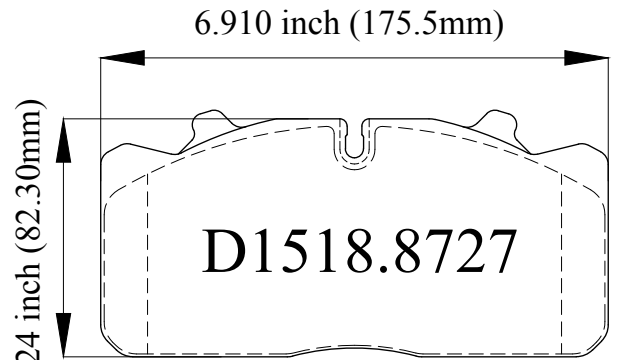


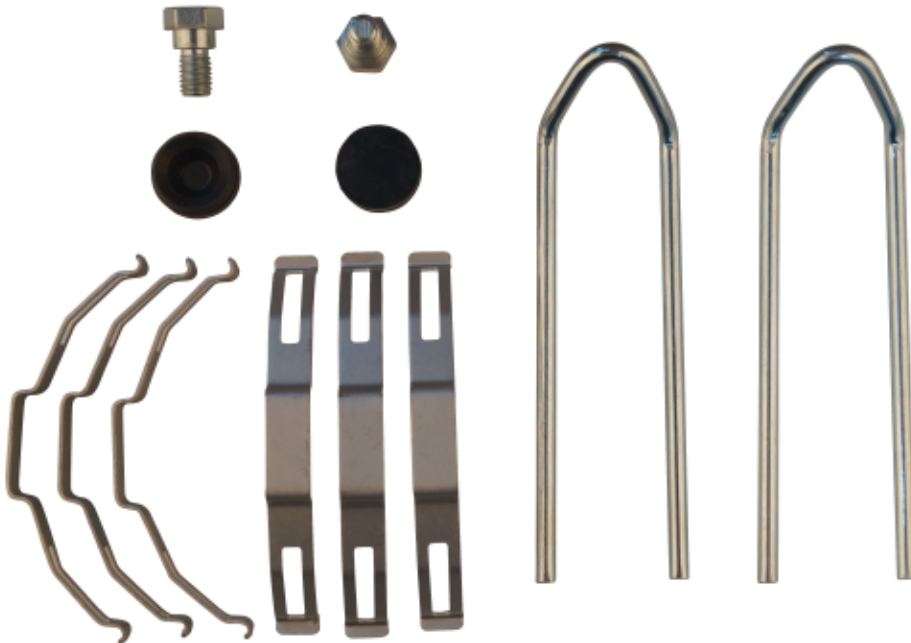
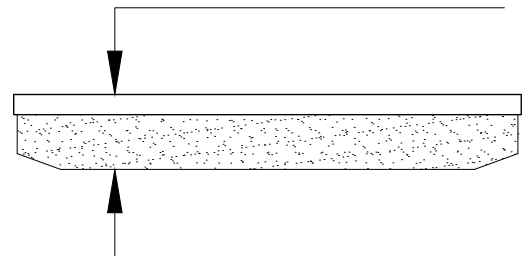
LUNAR[®] HP BRAKE PADS

AD1518LHP
FMSI[®]# D1518.8727

OE PAD# 2611-12999703VT
12999-743/667/577
WVA# 29088



1.02 inch (25.90mm)



MAKE

Wabco

APPLICATION

Refuse, Garbage

CALIPER

PAN 17