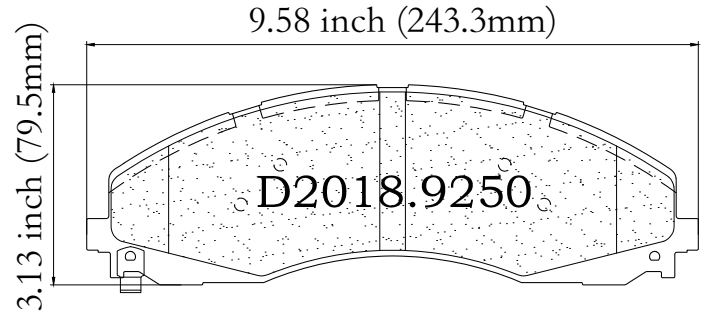
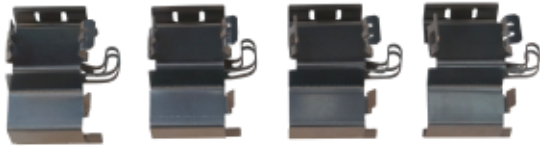


LUNAR[®] HD BRAKE PADS

HD2018.9249

FMSI[®]# D2018.9249



0.807 inch (20.5mm)



MAKE	MODEL	YEAR
Ford	F 450	2020-18
	F 550	2020-18