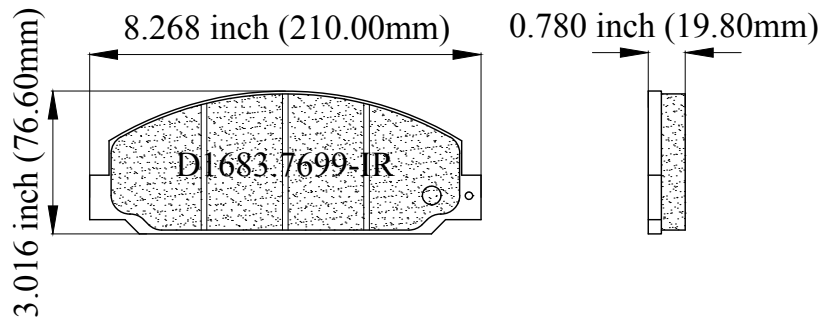
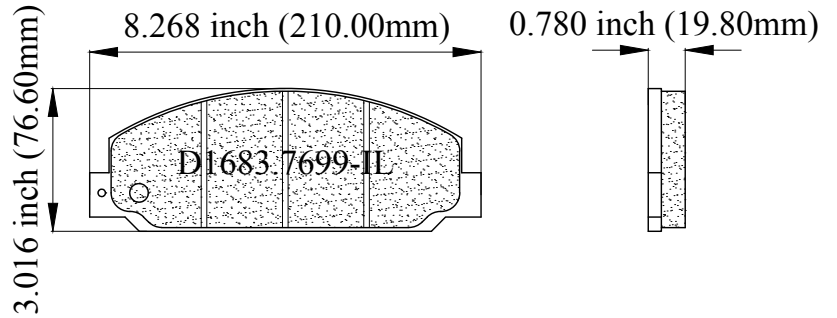
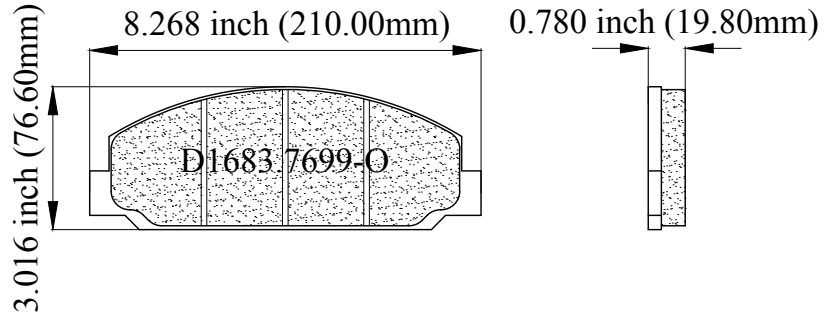


# LUNAR<sup>®</sup> HD BRAKE PADS

HD 1683.7699

FMSI<sup>®</sup># D1683.7699

WVA# 29259



MAKE	MODEL	YEAR
Hino	I95	2014-13