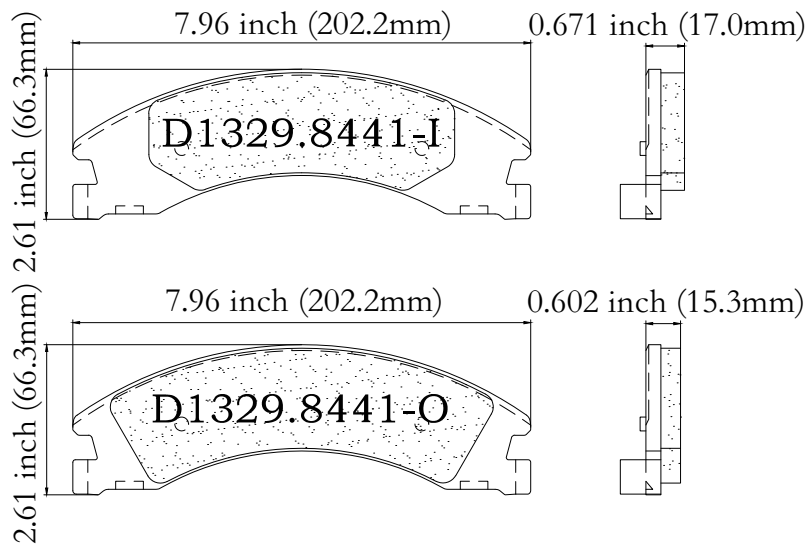


# LUNAR<sup>®</sup> HD BRAKE PADS

HD 1329.8441

FMSI # D1329.8441



**MAKE**

Ford

**MODEL**

F 150 - 350

**YEAR**

2019-08