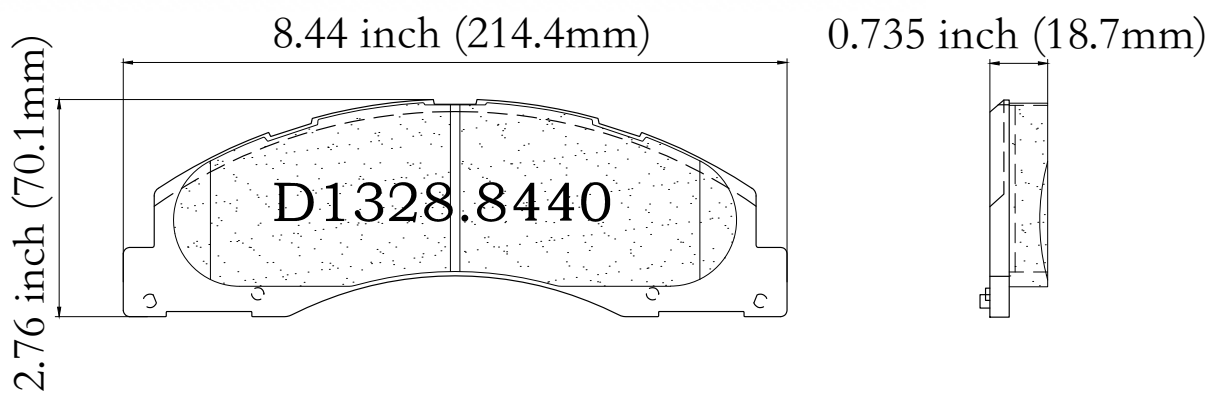


LUNAR[®] HD BRAKE PADS

HD 1328.8440

FMSI # D1328.8440



MAKE

Ford

MODEL

F 150 - 350

YEAR

2019-08