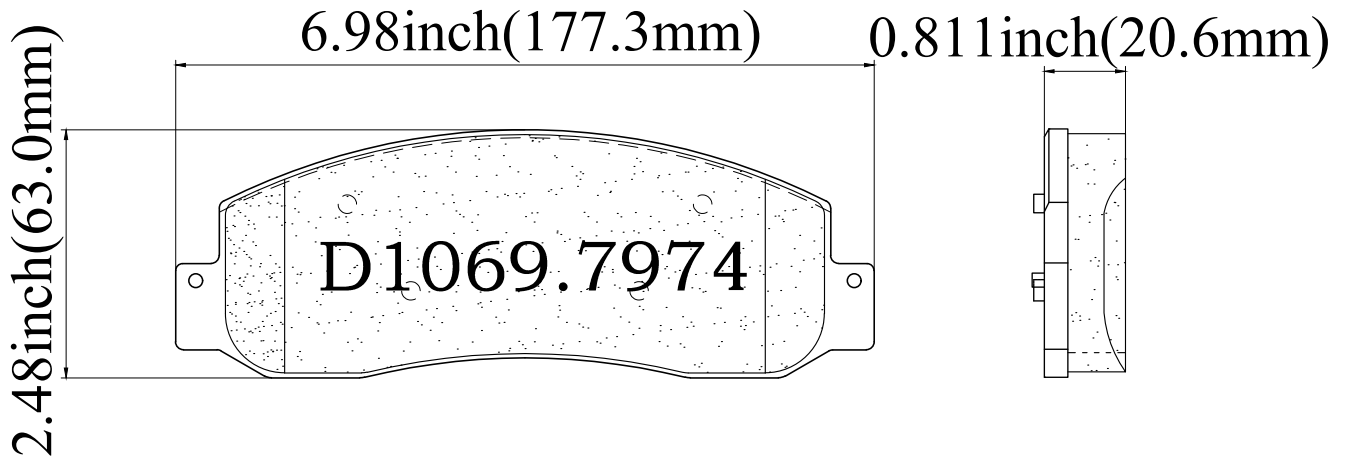


LUNAR[®] HD BRAKE PADS

HD 1069.7974

FMSI # D 1069.7974



MAKE	MODEL	YEAR
Ford	F 250 Super Duty F 350 Super Duty	2007-05 2008-05, 2010