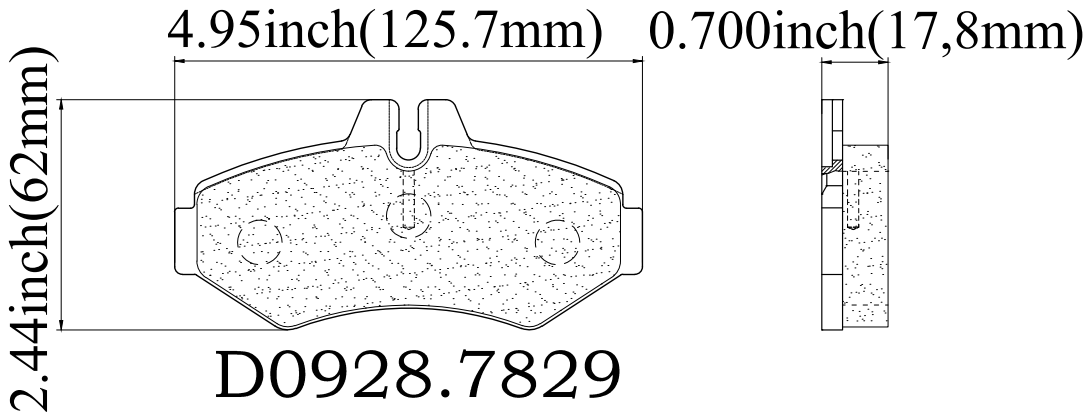


# LUNAR<sup>®</sup> HD BRAKE PADS

HD0928.7829

FMSI<sup>®</sup># D0928.7829



| MAKE          | MODEL         | YEAR      |
|---------------|---------------|-----------|
| Dodge         | Sprinter 2500 | 2006-2003 |
| Dodge         | Sprinter 3500 | 2006-2003 |
| Freightliner  | Sprinter 2500 | 2006-2002 |
| Freightliner  | Sprinter 3500 | 2006-2002 |
| Mercedes Benz | G500          | 2011-2003 |
| Mercedes Benz | G550          | 2017-2009 |
| Mercedes Benz |               |           |