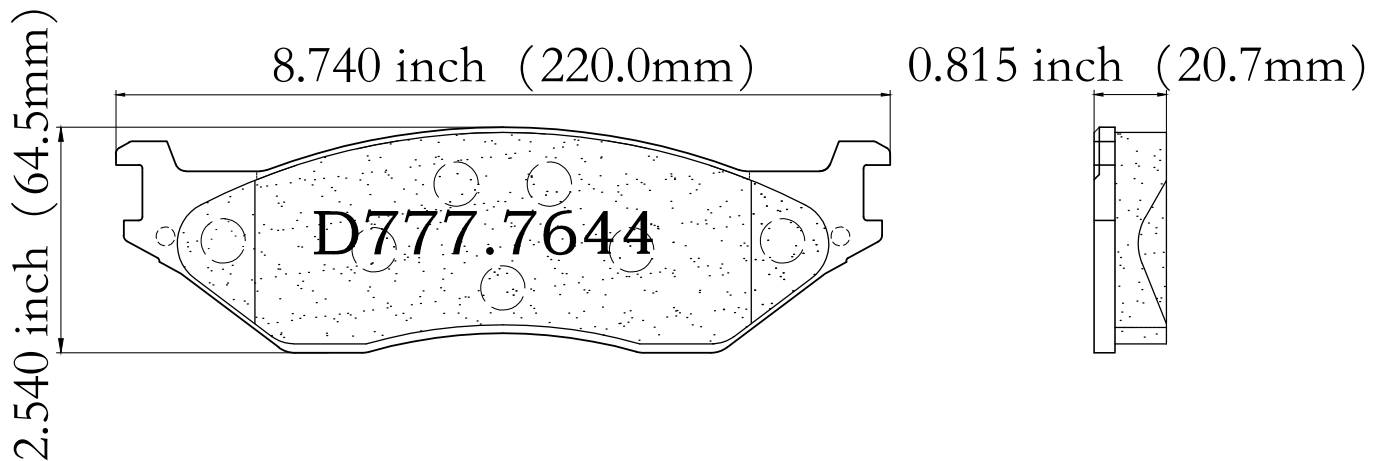


LUNAR[®] HD BRAKE PADS

HD0777.7644

FMSI[®]# D0777.7644



MAKE	MODEL	YEAR
Ford Truck	F 59	2004
	F 450	1999