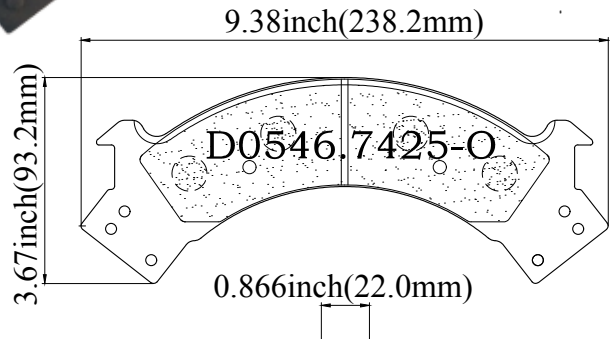
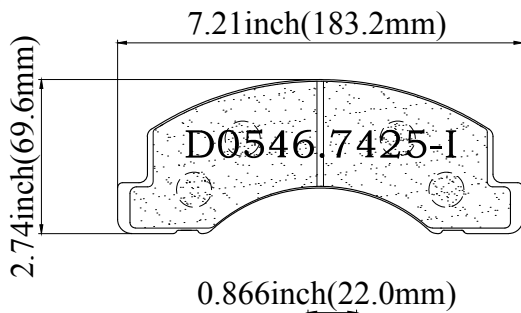


# LUNAR<sup>®</sup> HD BRAKE PADS

HD0546.7425

FMSI # D0546.7425



MAKE	MODEL	YEAR
------	-------	------