

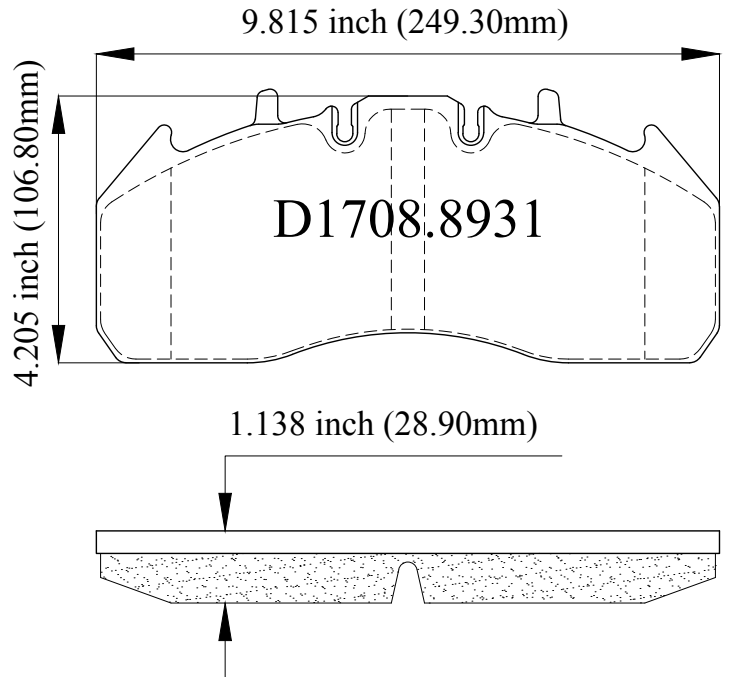
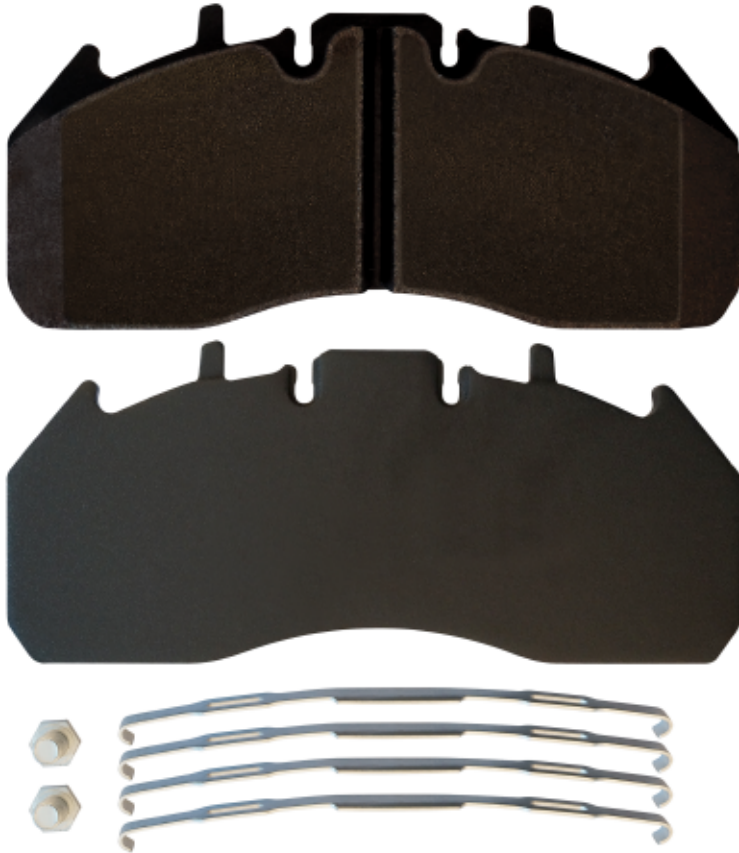
LUNAR[®] HP BRAKE PADS

AD1708LHP

FMSI[®] # D1708.8931

OE PAD# 21024701 / 702
20568711 / 8714
21496550

WVA# 29174, 29204,
29218, 29219, 29226



MAKE

Meritor

APPLICATION

Truck, Bus

CALIPER

Elsa 225-3