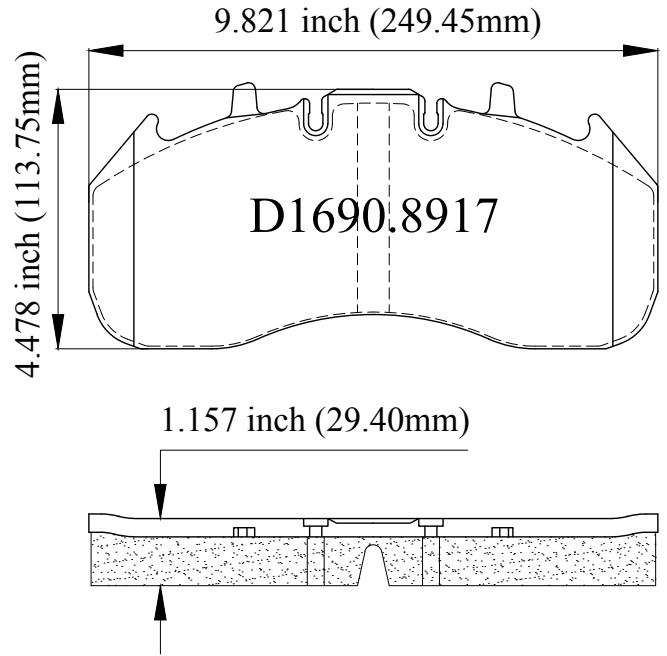
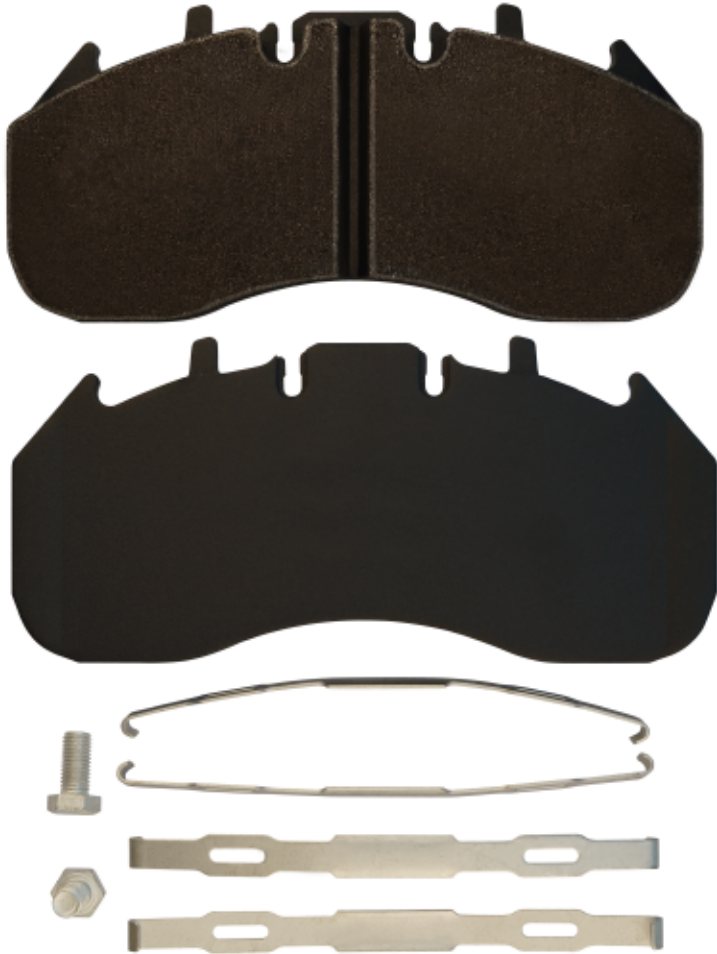


LUNAR[®] HP BRAKE PADS

AD1690LHP
FMSI[®]# D1690.8917

OE PAD# 2252H2BA, 2252H2CD
WVA# 29187



MAKE
Meritor

APPLICATION
Bus

CALIPER
EX225 H2