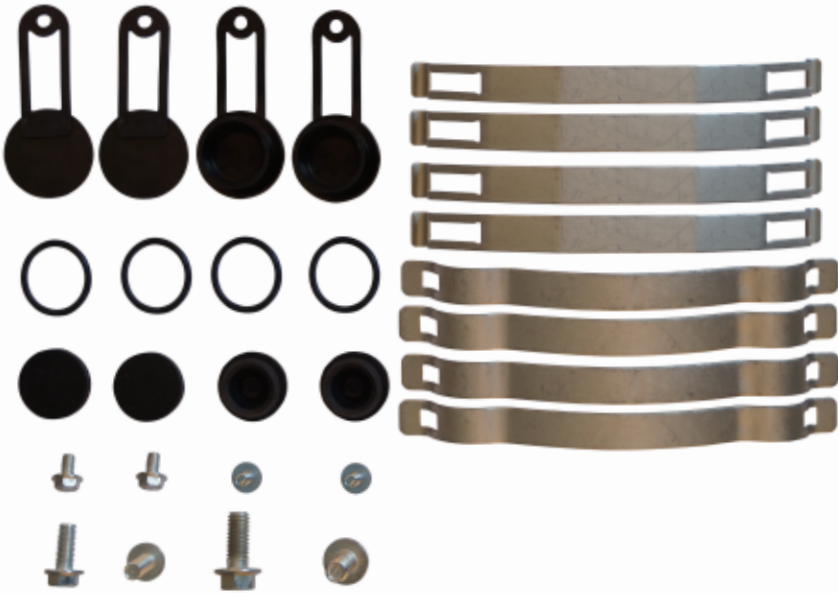
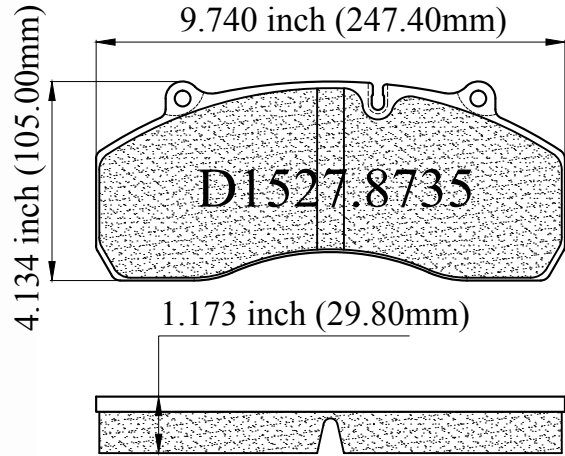


LUNAR[®] HP BRAKE PADS

AD1527LHP
FMSI® D1527.8735

OE PAD# 790-22008, 790-22031
WVA# 29185, 29176



MAKE

Haldex

APPLICATION

Trailer

CALIPER

Modulux-DB22