

LUNAR[®] HP BRAKE PADS

AD1525LHP

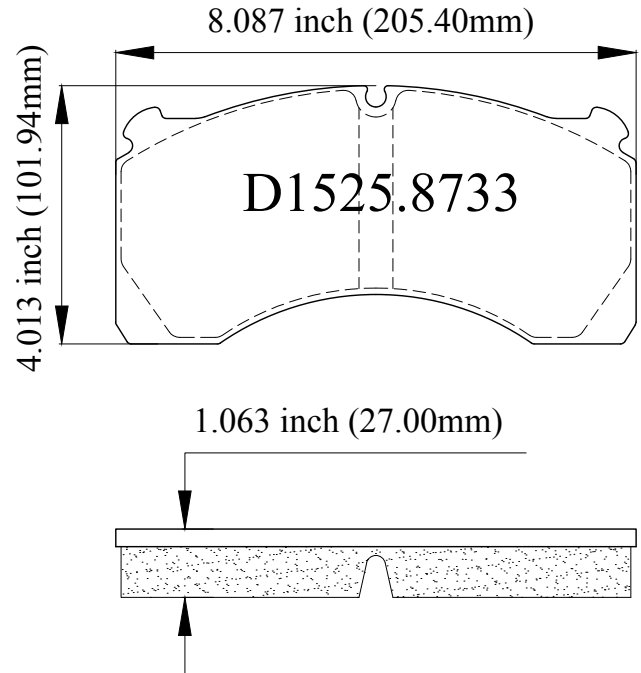
FMSI[®]# D1525.8733

OE PAD# KIT195020, 3222-T-2308

15224835,MDP1314

WVA#

29124, 29155



MAKE

Meritor

APPLICATION

Coach Transit

CALIPER

DX195