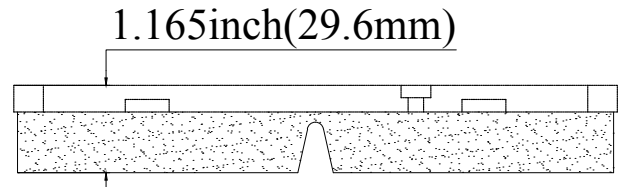
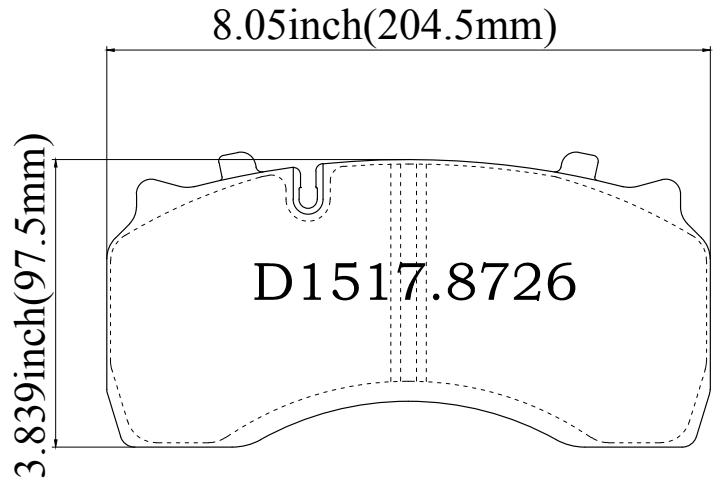


LUNAR[®] HP BRAKE PADS

AD1517LHP
FMSI[®]# D1517.8726

OE PAD# I2999747VT



MAKE

Wabco

APPLICATION

Mack Freedom

CALIPER

PAN 19-2