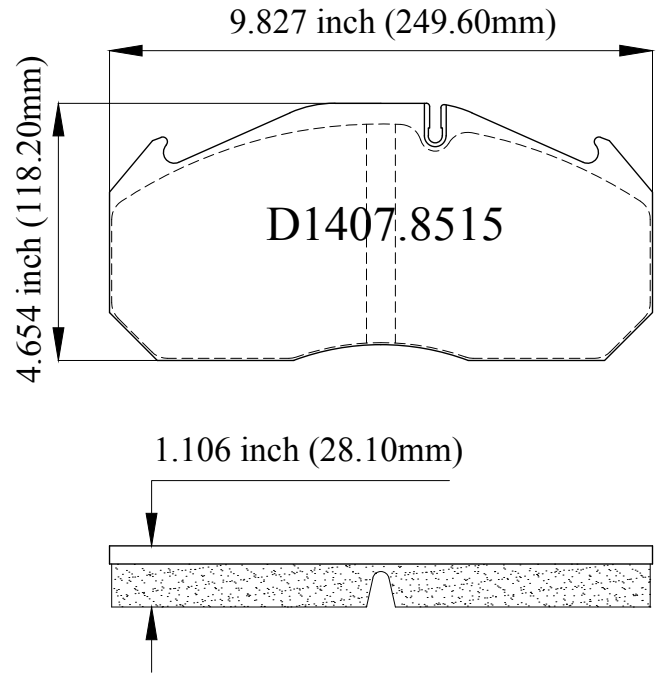
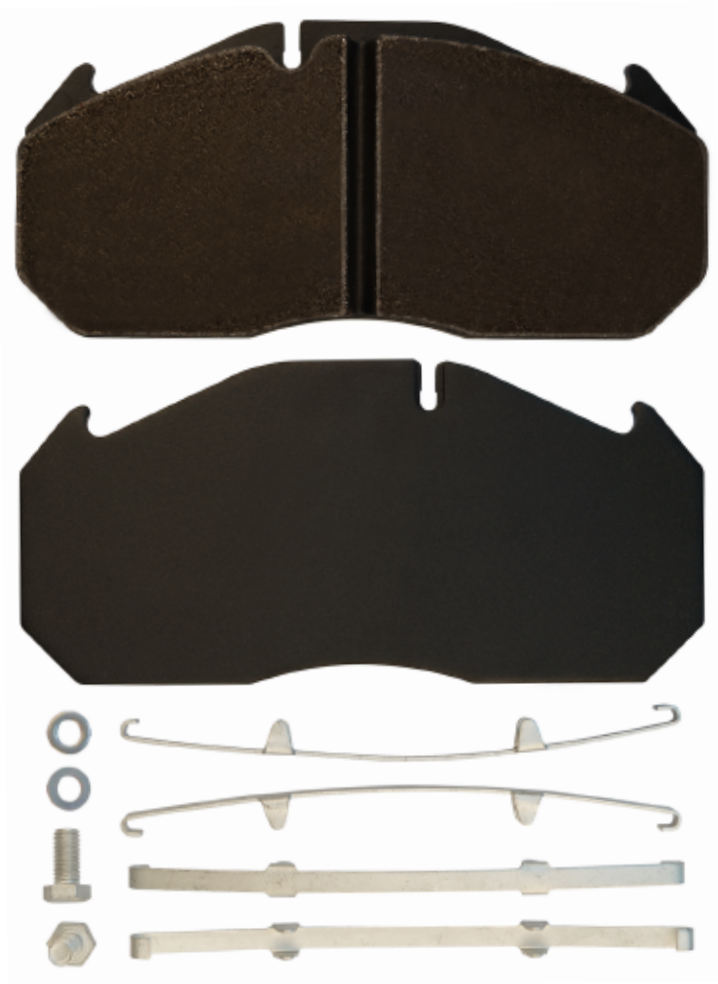


LUNAR[®] HP BRAKE PADS

AD1407LHP
FMSI[®]# D1407.8515

OE PAD# N508205020 /6016/6046,
10714240, 28214T400
WVA# 29030, 29083, 29084



MAKE
Meritor

APPLICATION
Coach Bus

CALIPER
D-Lisa I