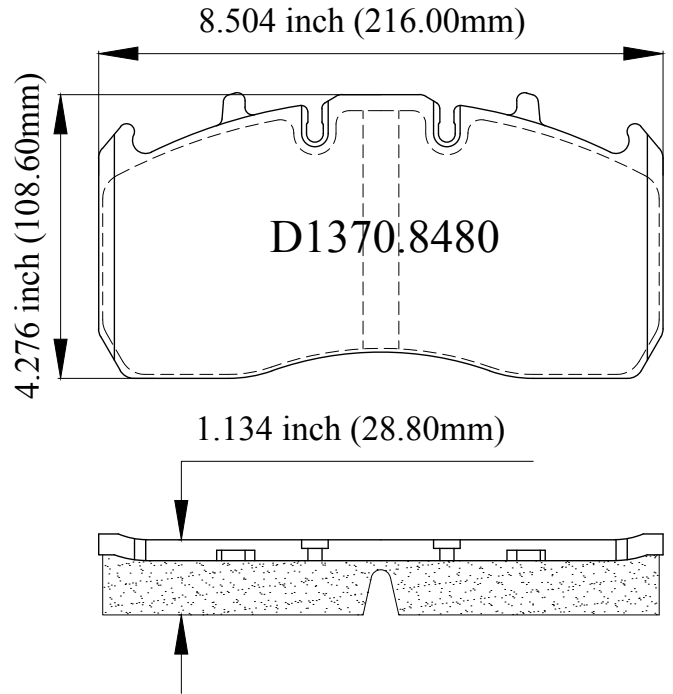
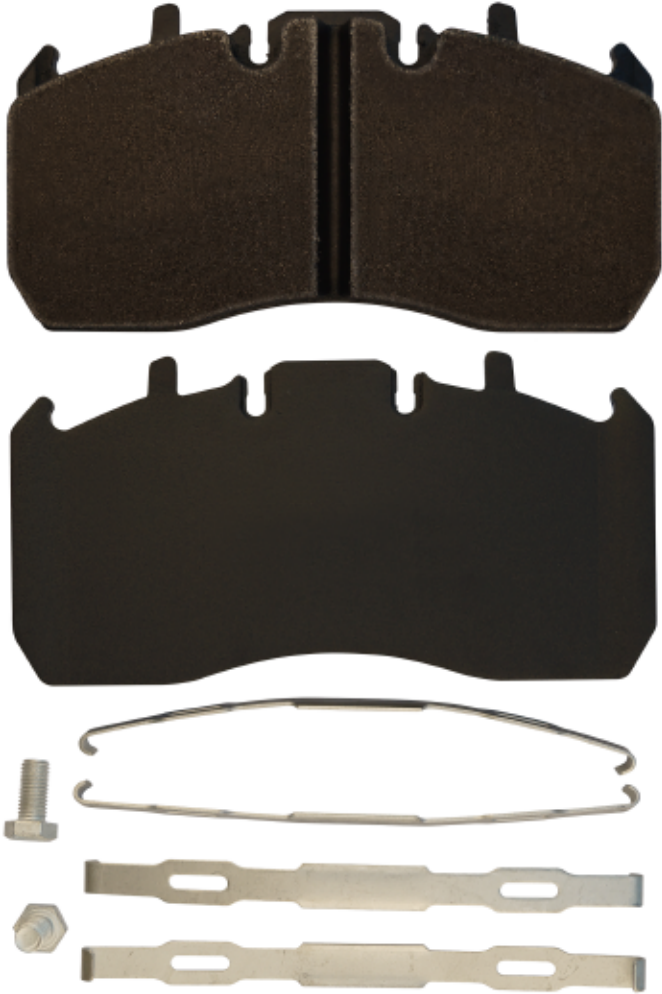


# LUNAR<sup>®</sup> HP BRAKE PADS

AD1370 LHP  
FMSI<sup>®</sup># D1370.8480

OE PAD# 2252 L2 CD  
WVA# 29189



**MAKE**  
Meritor

**APPLICATION**  
Coach Bus

**CALIPER**  
EX225\_L2\_Std Duty