

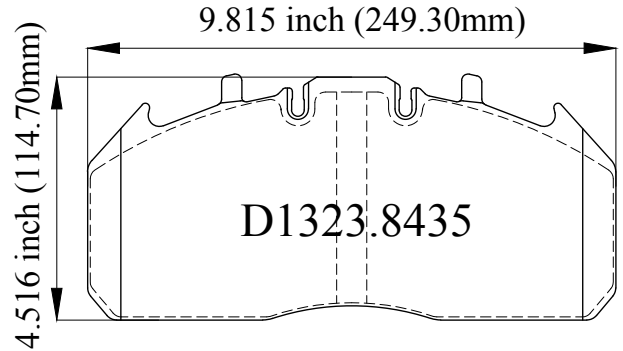
# LUNAR<sup>®</sup> HP BRAKE PADS

AD1323LHP

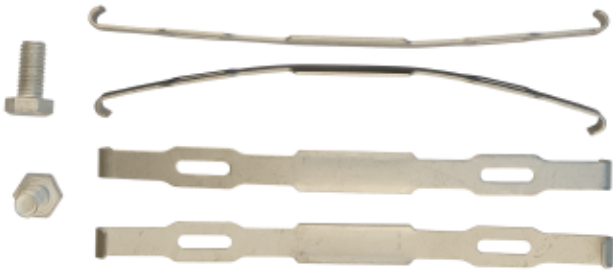
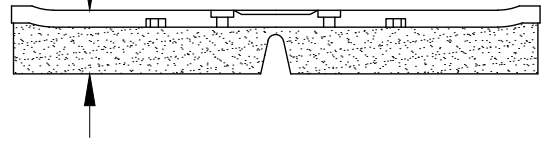
FMSI<sup>®</sup># D1323.8435

OE PAD# 2252H3BECE,  
3222G2477

WVA# 29188



1.181 inch (30.00mm)



**MAKE**

Meritor

**APPLICATION**

Transit

**CALIPER**

EX225\_H3\_(SM Radius)