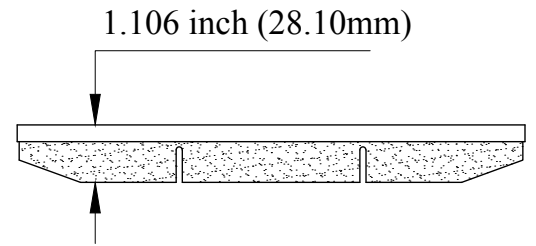
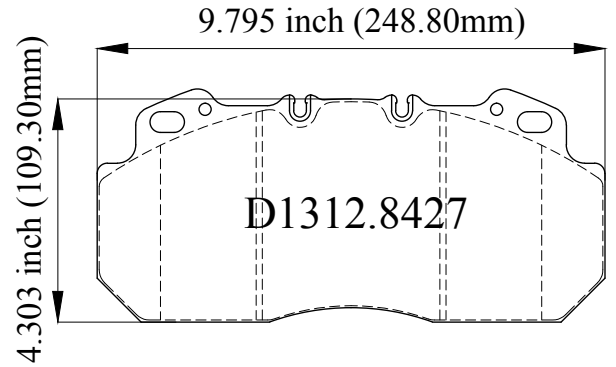
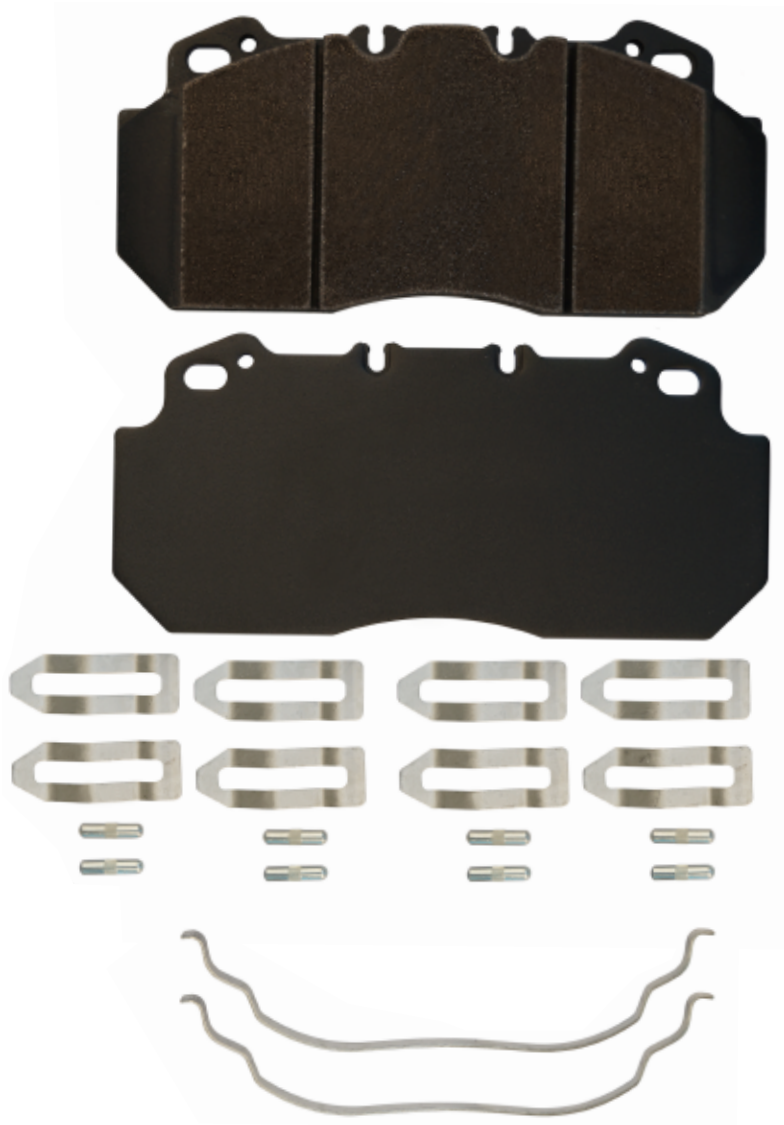


LUNAR[®] HP BRAKE PADS

AD1312LHP
FMSI[®]# D1312.8427

OE PAD# 68932068NZP,
3093939/3919
WVA# 29090



MAKE
Meritor

APPLICATION
Coach Bus-MCI

CALIPER
D_Lisa