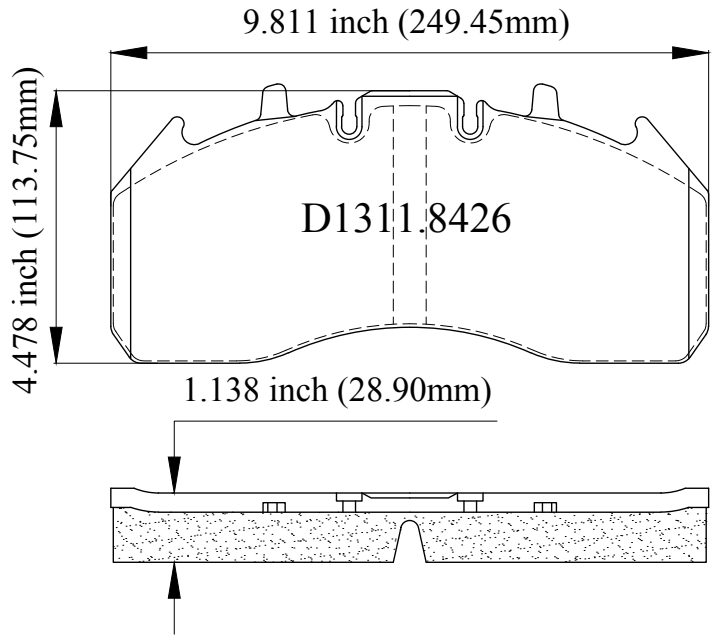


LUNAR[®] HP BRAKE PADS

AD1311 LHP
FMSI[®]# D1311.8426

OE PAD# 3222F2476, 2252H2CD
WVA# 29187



MAKE
Meritor

APPLICATION
Coach Bus, Garbage

CALIPER
EX225_H2_(LG Radius)