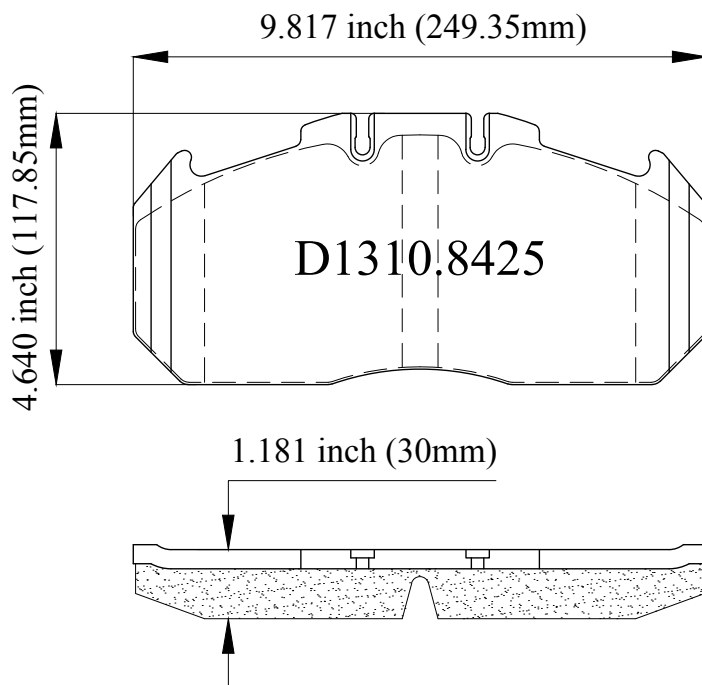
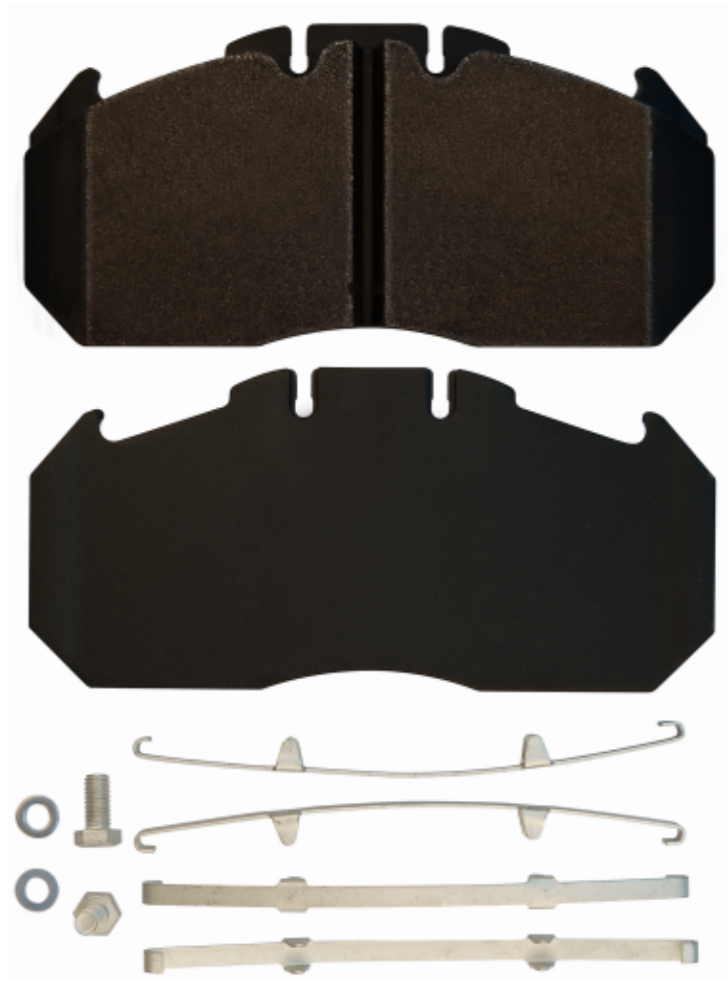


# LUNAR<sup>®</sup> HP BRAKE PADS

AD1310 LHP  
FMSI<sup>®</sup> # D1310.8425

OE PAD# 68324558, MDP5060,  
N508206051 /52  
WVA# 29131, 29156



**MAKE**  
Meritor

**APPLICATION**  
Coach Bus

**CALIPER**  
Lucas\_D-Elsa2