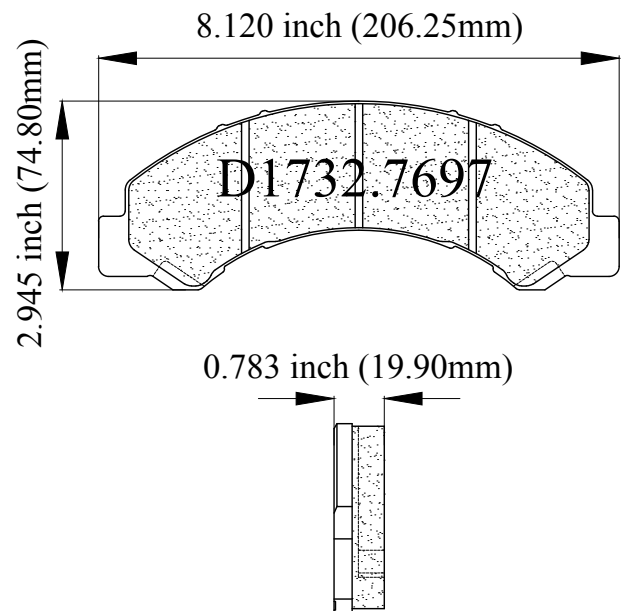


# LUNAR<sup>®</sup> HD BRAKE PADS

HD 1732.7697

FMSI<sup>®</sup># D 1732.7697

WVA# 25800



**MAKE**

Isuzu Commercial

**MODEL**

Reach (Latin America)

**YEAR**

2014