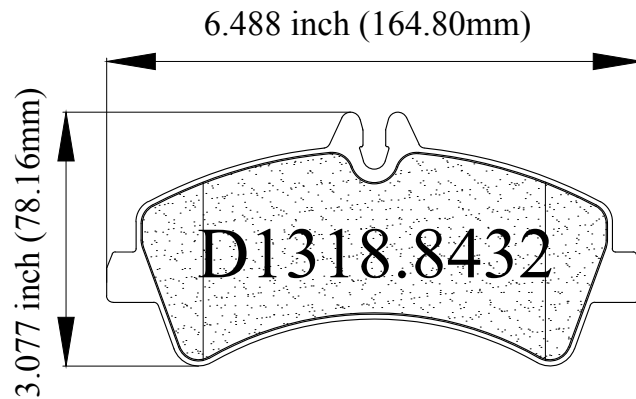


# LUNAR<sup>®</sup> HD BRAKE PADS

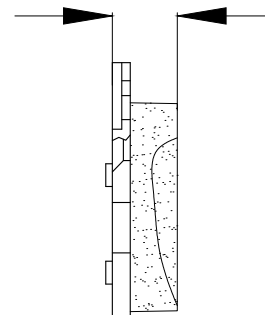
HD 1318.8432

FMSI<sup>®</sup># D1318.8432

WVA# 29217



0.788 inch (20.00mm)



MAKE	MODEL	YEAR
Dodge Truck, Freighter, Mercedes Commercial	Sprinter 3500	2015-10