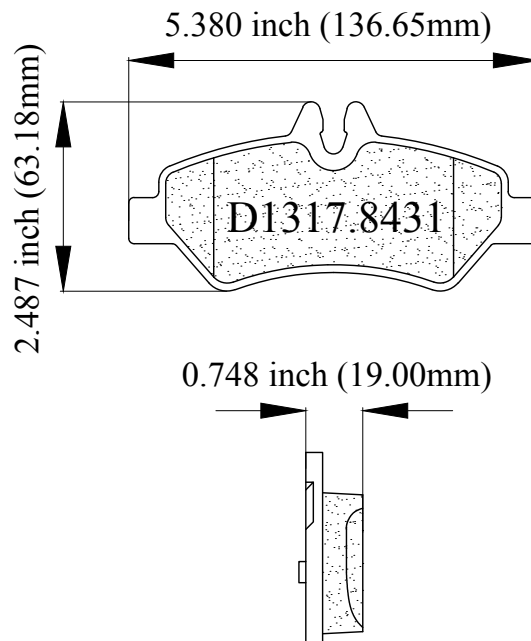


# LUNAR<sup>®</sup> HD BRAKE PADS

HD 1317.8431

FMSI<sup>®</sup> # D 1317.8431

WA# 29190



MAKE	MODEL	YEAR
Dodge Truck, Freightler, Mercedes Commercial	Sprinter 2500, Sprinter 3500	2014-10