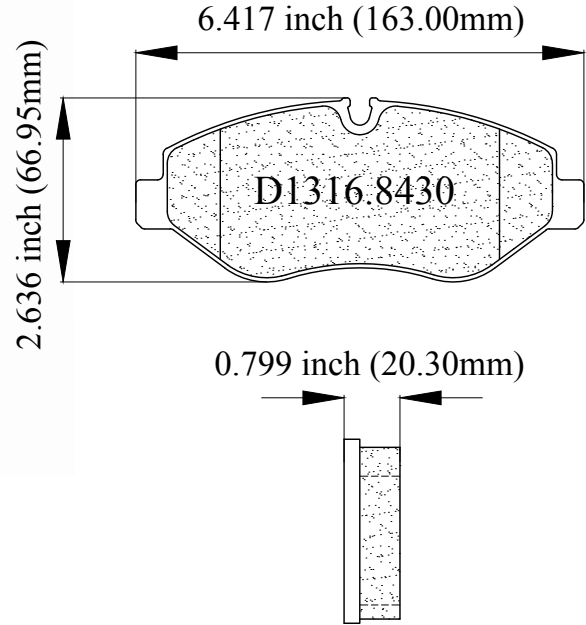


LUNAR[®] HD BRAKE PADS

HD 1316.8430

FMSI[®] # D 1316.8430

WVA# 29192



MAKE	MODEL	YEAR
Dodge Truck, Freightler, Mercedes Commercial	Sprinter 2500	2012-10