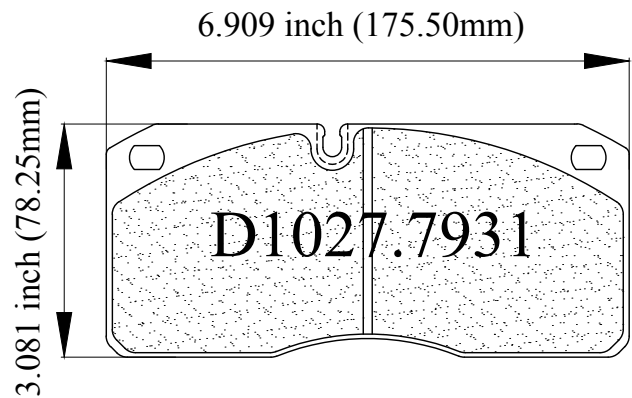


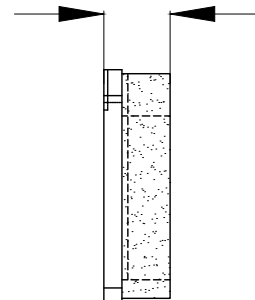
LUNAR[®] HD BRAKE PADS

HD 1027.7931

FMSI # D 1027.7931



0.876 inch (22.25mm)



MAKE	MODEL	YEAR
Iveco	EuroCargo, Zeta	2014-91
Workhorse	W42 14,000 GVW	2007-05