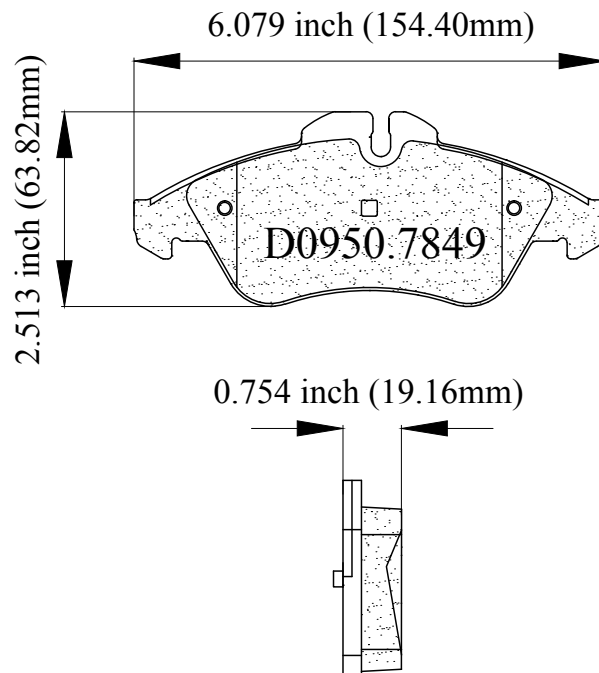


# LUNAR<sup>®</sup> HD BRAKE PADS

HD0950.7849

FMSI<sup>®</sup># D0950.7849



MAKE	MODEL	YEAR
Dodge Truck, Freighter, Mercedes Commercial	Sprinter 2500, Sprinter 3500	2006-02