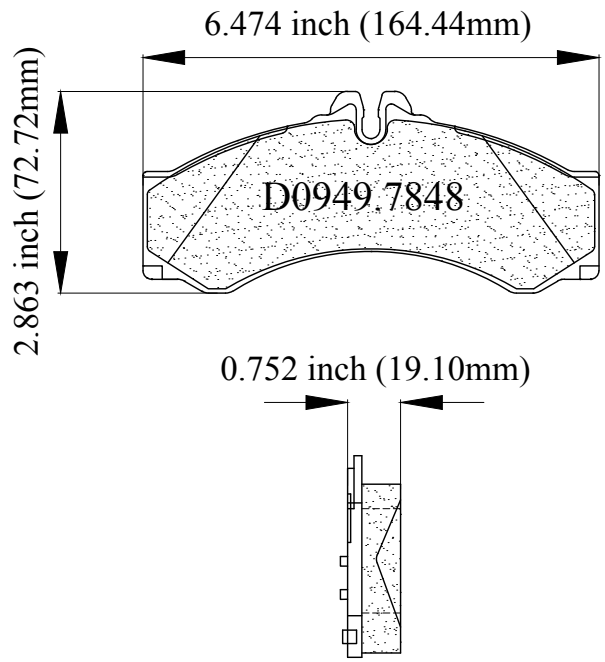


# LUNAR<sup>®</sup> HD BRAKE PADS

HD0949.7848

FMSI<sup>®</sup> # D0949.7848



MAKE	MODEL	YEAR
Dodge Truck, Freightler, Mercedes Commercial	Sprinter 2500, Sprinter 3500	2006-02