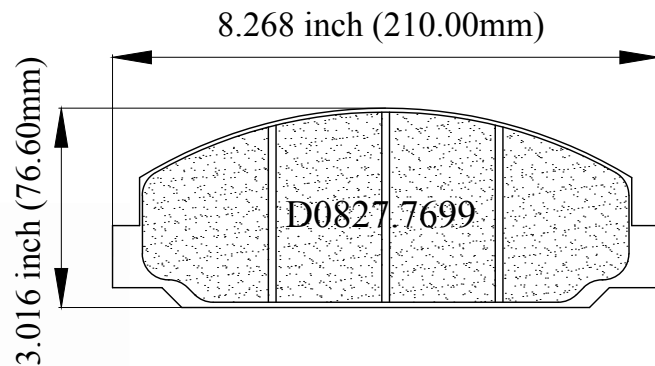
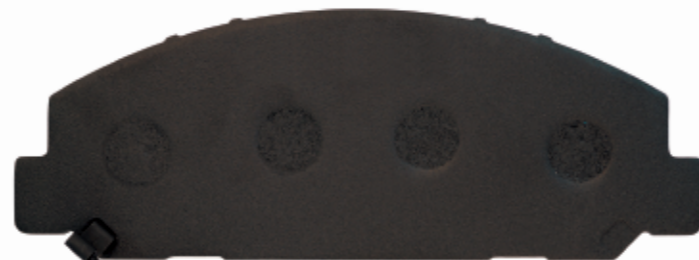


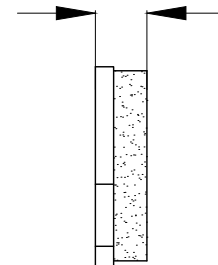
LUNAR[®] HD BRAKE PADS

HD0827.7699

FMSI # D0827.7699



0.780 inch (19.80mm)



MAKE	MODEL	YEAR
Chevrolet, GMC Truck	W5500	2003-96
Chevrolet Truck, GMC Truck, Isuzu Commercial	W5500HD, HINO 195, NQR, NPR	2014-99