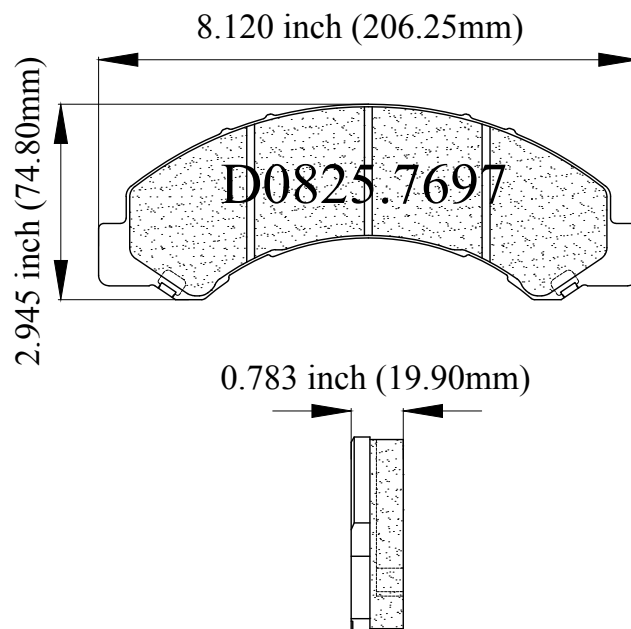


LUNAR[®] HD BRAKE PADS

HD0825.7697

FMSI[®] # D0825.7697



MAKE	MODEL	YEAR
Chevrolet, GMC Truck	W4	2000-98
Chevrolet Truck, GMC Truck, Isuzu Commercial	W3500, W4500, W5500, HINO 155, NPR	2014-98