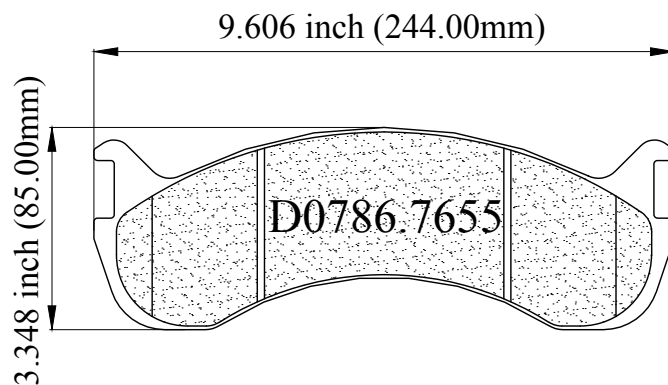
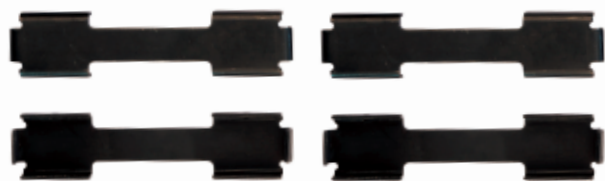


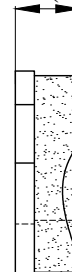
LUNAR[®] HD BRAKE PADS

HD0786.7655

FMSI[®] # D0786.7655



1.055 inch (26.80mm)



MAKE	MODEL	YEAR
Ford Truck	F53, F59, F650/750	2014-04
Freightliner	FW700, M2-100, MT10, MT35/55	2009-04
International Truck	3000, 6294, 6305, BE, CE, FE, RE	2009-03
Kenworth	T170, T270, T370	2011-08
Workhorse	LF72, P32, P42, W20, W21, W42	2009-01