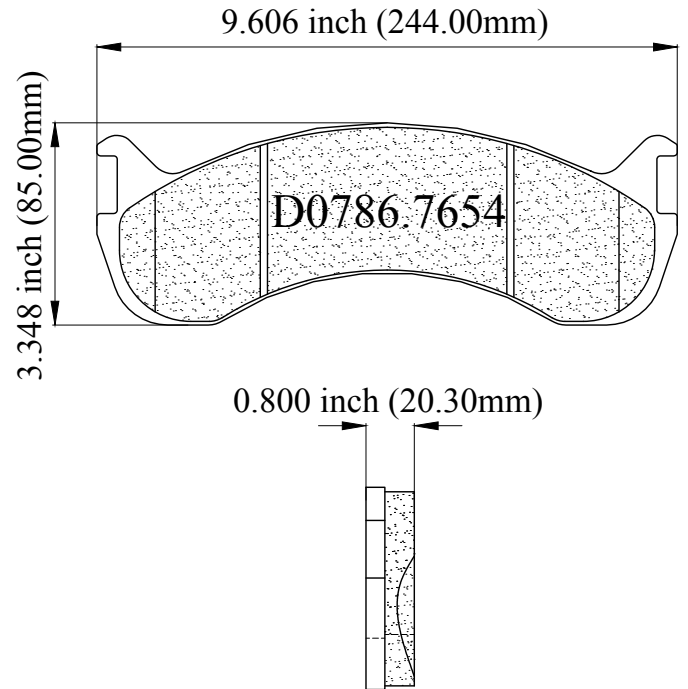
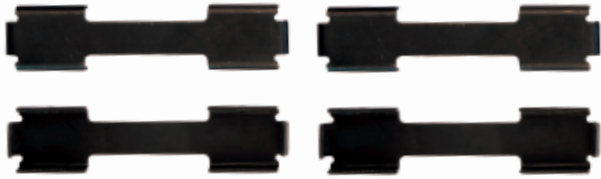


LUNAR[®] HD BRAKE PADS

HD0786.7654

FMSI[®] # D0786.7654



| MAKE | MODEL | YEAR |
|---------------------|-------------------------------------|---------|
| Bluebird | All American, TC-100/200 School Bus | 2004-98 |
| Ford Truck | F53, F59, F650/750 | 2011-04 |
| Freightliner | FW700, M2-100, MT10, MT35/55 | 2009-04 |
| International Truck | 3000, 6294, 6305, BE, CE, FE, RE | 2009-99 |
| Kenworth | T170/370 | 2011-08 |
| Peterbilt | 330, 335 | 2011-08 |
| Workhorse | LF72, W20, W21, W22 | 2009-01 |