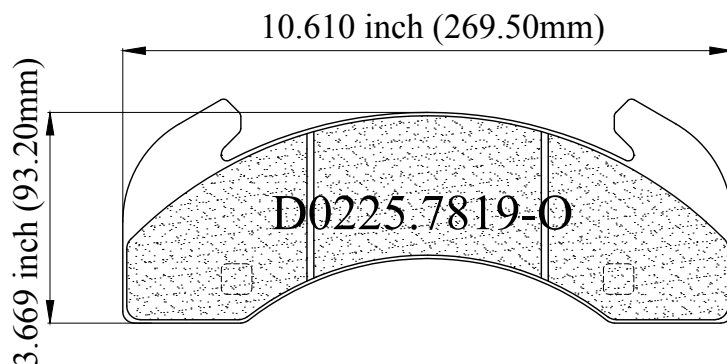


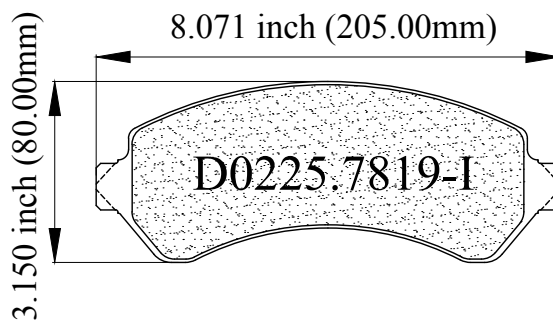
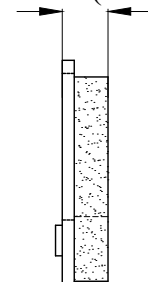
LUNAR[®] HD BRAKE PADS

HD0225.7819

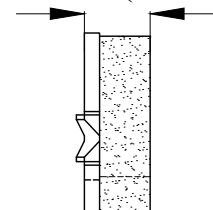
FMSI # D0225.7819



0.915 inch (23.20mm)



1.100 inch (28.00mm)



MAKE	MODEL	YEAR
Bluebird	TC-100/200 School Bus	2004-89
Chevrolet, GMC Truck	C60/7500 Kodiak, Topkick	2002-83
	T5500/7500	2002-83
Freightliner	FL-50/70, MB50/70, MT-10/55	2004-90